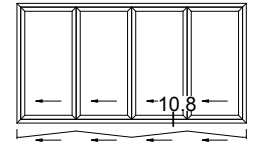


Typ 3.1 – Nach innen öffnend, mit Schwelle 489 410
Type 3.1 – Inward-opening, with threshold 489 410



Profiles
Profile

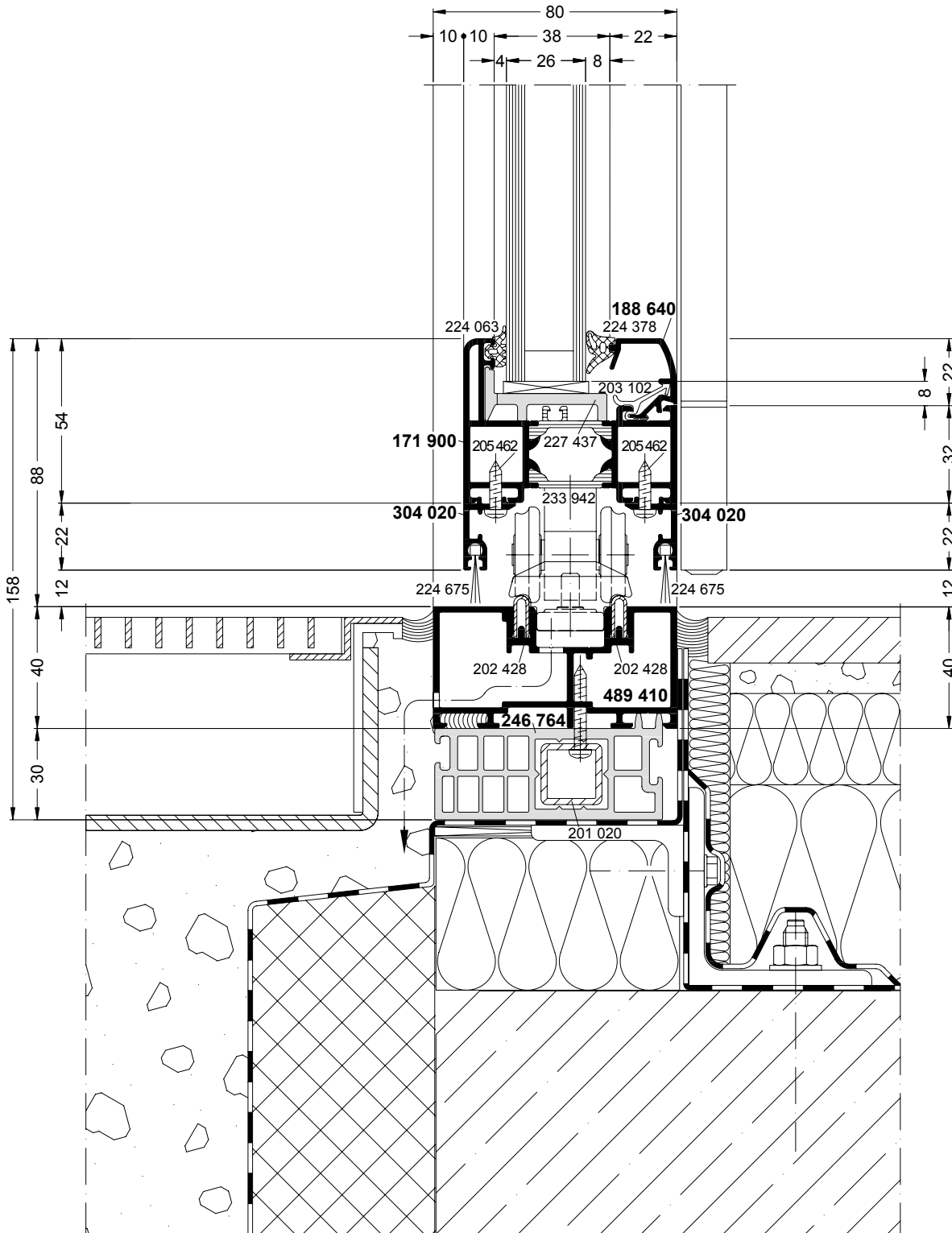
Unit section details
Elementschnitte

Glazing
Verglasung

Cornor / T-joints
Eck- / T-Verbindungen

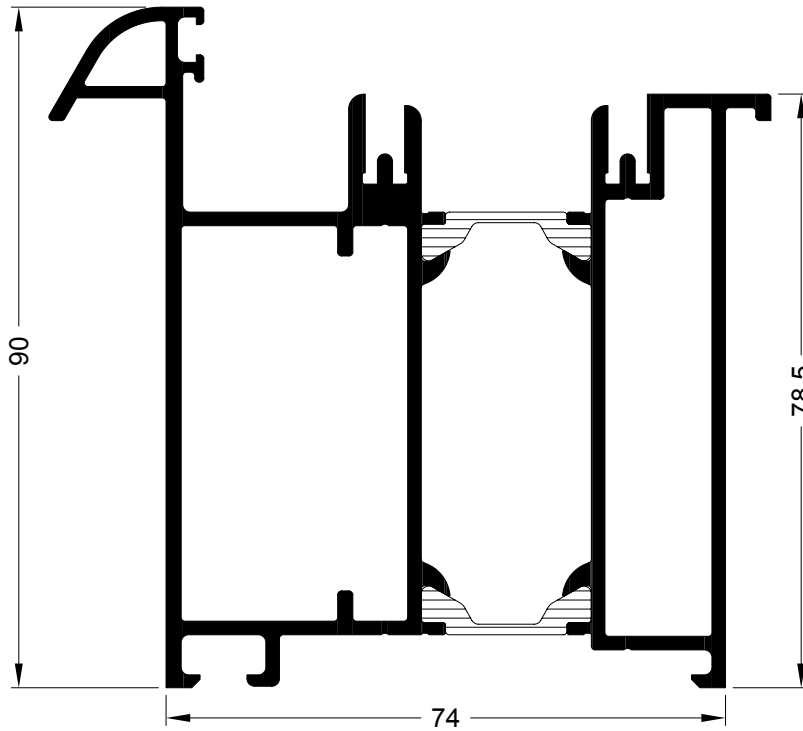
Fittings
Beschläge

Tools
Werkzeuge



Wichtiger Hinweis!
 Einsatz nicht im Schlagregenbereich.
 Im Fußpunkt kann es zu Zugerscheinungen kommen.

Important note:
 Not for use in areas exposed to driving rain.
 May result in draughts at the sill.



Schwelprofil 78,5/90 Threshold profile 78.5/90

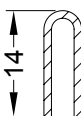
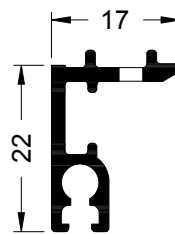
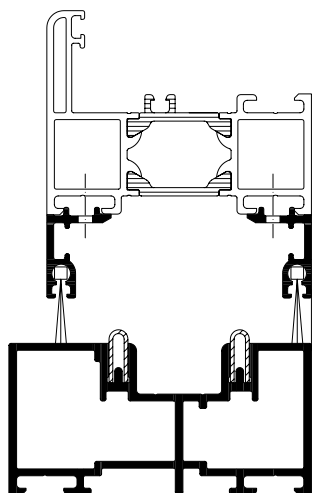
| | | m | mm | mm |
|-----------|----------------------|----------------|----------|---------|
| WV | | | | |
| KV | Komplett Complete | 487 730 | 6 | 45 |
| SV | Innen Inside | 489 260 | 6 | 16 |
| | Außen Outside | 489 270 | 6 | 29 |
| | | | | |
| | PT | 224 092 | 25 x 6 | 224 092 |
| | PA 66 | 224 093 | 25 x 6 | 224 093 |
| WV | | | | |
| KV | Komplett Complete | 487 740 | 4,5 | 45 |
| SV | Innen Inside | 489 280 | 4,5 | 16 |
| | Außen Outside | 489 290 | 4,5 | 29 |
| | | | | |
| | PT | 284 290 | 25 x 4.5 | 284 290 |
| | PA 66 | 284 297 | 25 x 4.5 | 284 297 |
| | | | | |
| | | | | |
| | | | | |
| | | | | |
| | | | | |

Profiles
Profile

Unit section details
Elementschnitte

Glazing
Verglasung

Corner / T-joints
Eck- / T-Verbindungen



Einsatzprofil, gelocht Insert profile, punched

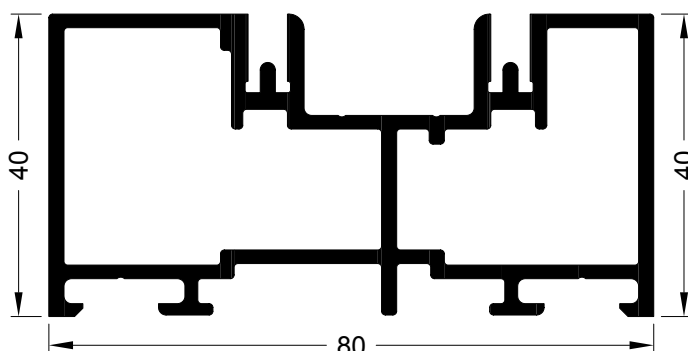
| | m | mm | mm |
|----------------|-----|----|-----|
| 304 020 | 6 | 22 | 121 |
| 304 130 | 4.5 | 22 | 121 |

Fittings
Beschlüge

Laufschiene Track

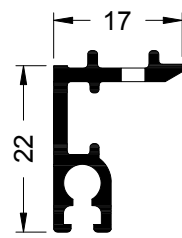
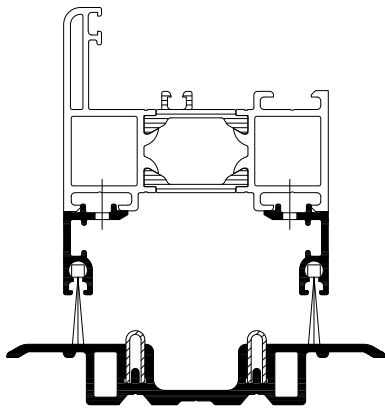
| Farbe Colour | Material Material | |
|-----------------|----------------------|----------------|
| | | m |
| - | INOX | 202 428 |
| | | 6 |

Tools
Werkzeuge



Schwelprofil 40/40 Threshold profile 40/40

| | m | mm | mm |
|----------------|-----|----|-----|
| 489 410 | 6 | 42 | 392 |
| 489 420 | 4,5 | 42 | 392 |

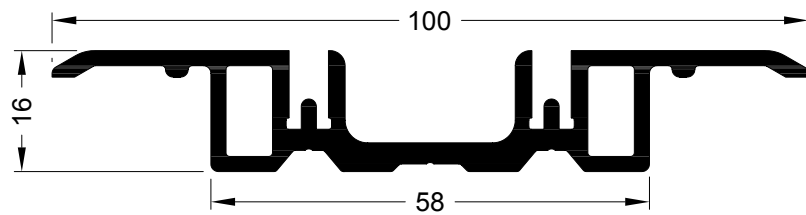
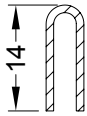


Einsatzprofil, gelocht
Insert profile, punched

| | m | mm | mm | |
|----------------|-----|----|-----|--|
| 304 020 | 6 | 22 | 121 | |
| 304 130 | 4.5 | 22 | 121 | |

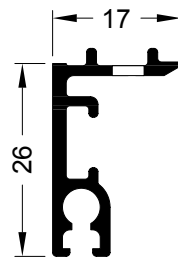
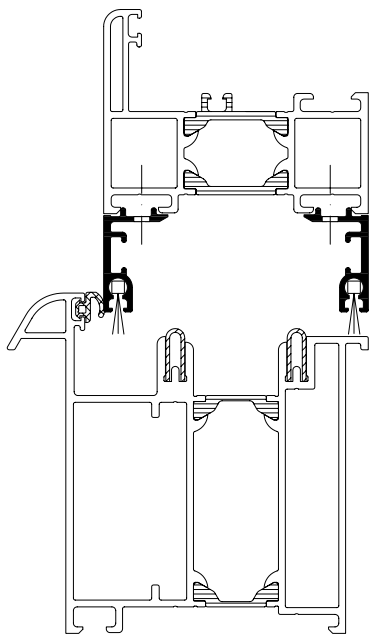
Laufschiene
Track

| Farbe Colour | Material Material | | |
|-----------------|----------------------|----------------|---|
| | | | m |
| - | INOX | 202 428 | 6 |



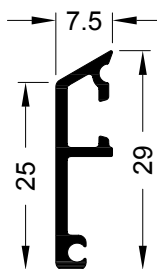
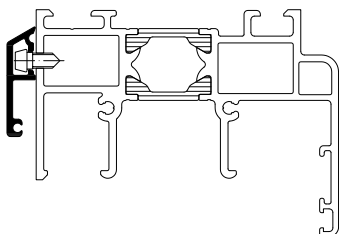
Schwellenprofil
Threshold profile

| | m | mm | mm | |
|----------------|-----|----|-----|--|
| 303 320 | 6 | 63 | 318 | |
| 303 900 | 4.5 | 63 | 318 | |



Einsatzprofil, gelocht
Insert profile, punched

| | m | mm | mm | |
|----------------|-----|----|-----|--|
| 489 430 | 6 | 26 | 136 | |
| 489 440 | 4.5 | 26 | 136 | |



Wetterschenkel
Drip bar

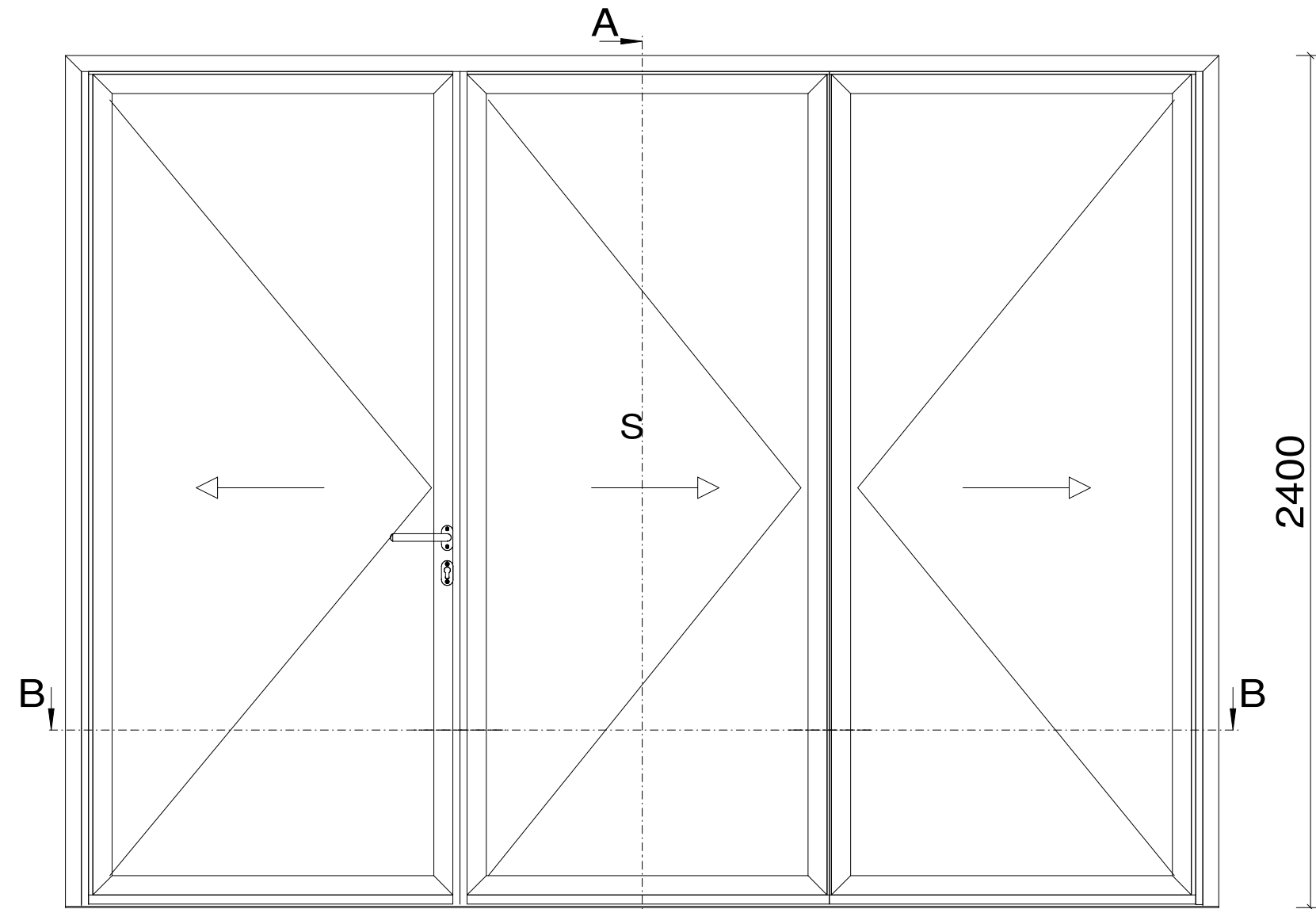
| | m | mm | mm | |
|----------------|---|----|----|--|
| 129 820 | 6 | 32 | 97 | |



Klemmschraube
M4 x 10

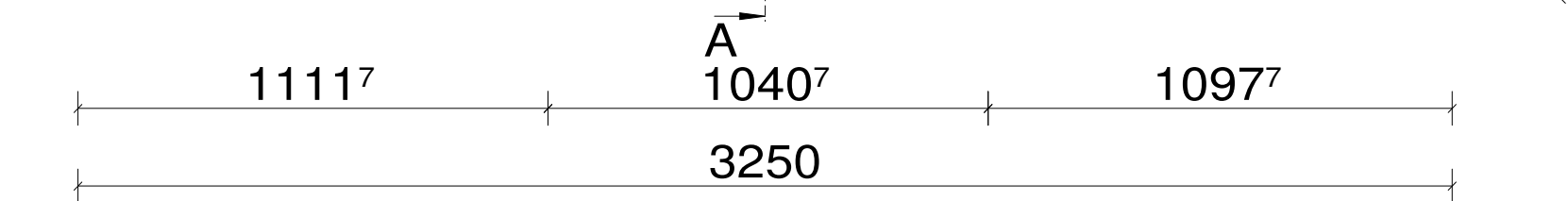
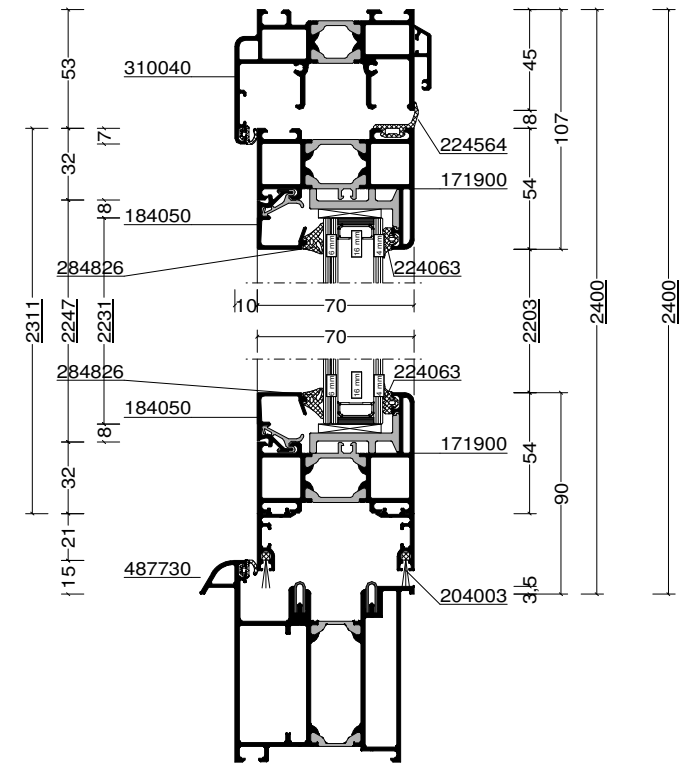
Clamping screw
M4 x 10

| Farbe Colour | Material Material | | |
|-----------------|----------------------|----------------|-----|
| | | | m |
| - | INOX A2 | 205 402 | 100 |



A-A

#489430-70



B-B

